



# XD7500

## INSTALLATION/OWNERS MANUAL

AM/FM/CD Receiver with Remote





## Preparation

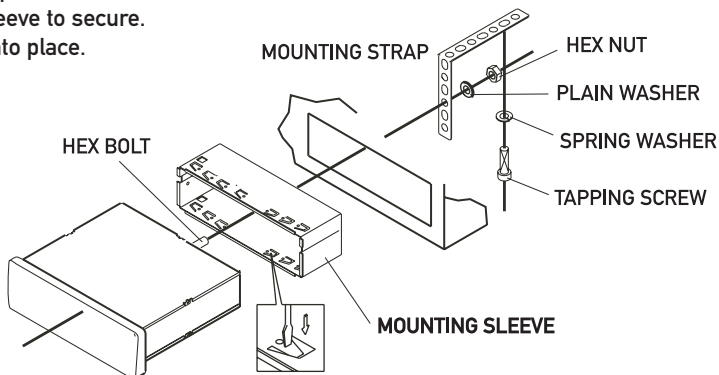
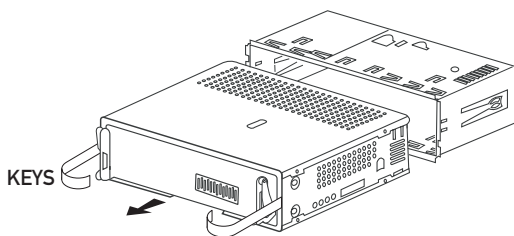
Please read entire manual before installation.

### Before You Start

- Disconnect negative battery terminal. (consult a qualified technician for instructions)
- Avoid installing the unit where it would be subject to high temperatures, such as from direct sunlight, or where it would be subject to dust, dirt or excessive vibration.

### Getting Started

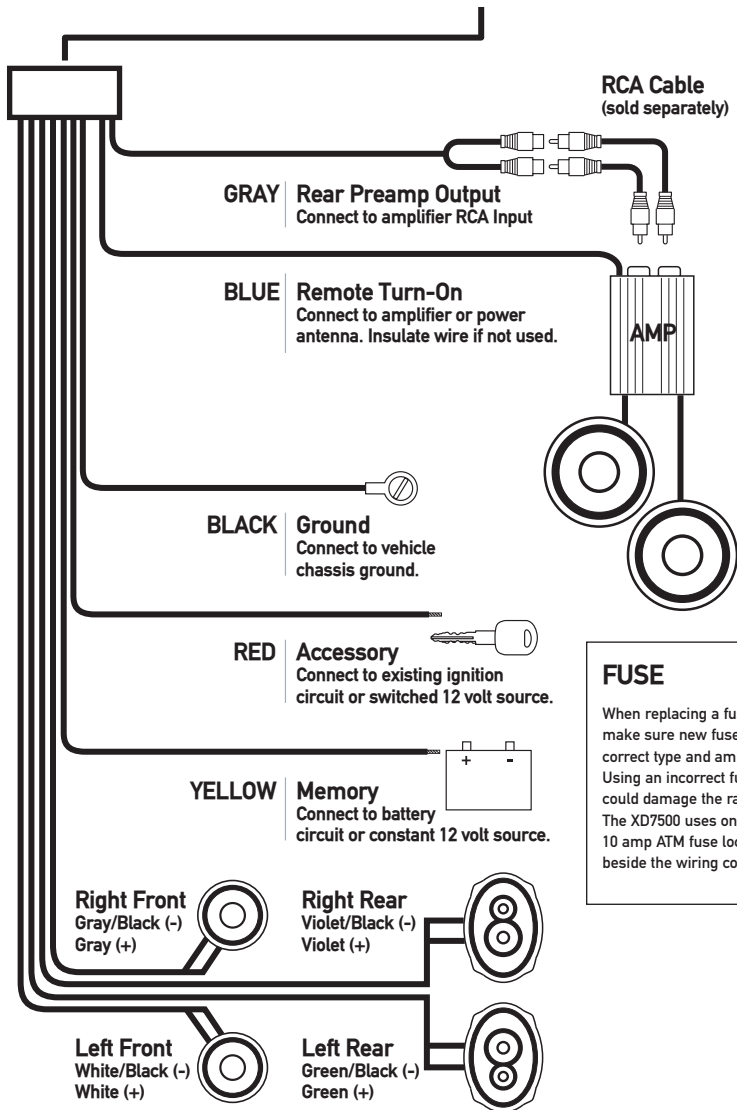
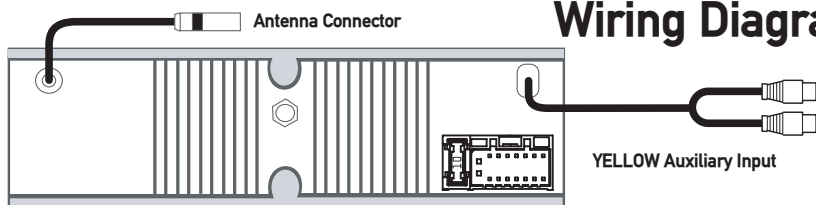
- Remove 2 transit screws located on top of the unit.
- Insert the supplied keys into the slots as shown, and slide the unit out of the mounting sleeve.
- Install mounting sleeve into opening, bending tabs to secure.
- Connect wiring harness and antenna. (consult a qualified technician if you are unsure)
- Certain vehicles may require an installation kit and/or wiring harness adapter (sold separately).
- Test for correct operation and slide into mounting sleeve to secure.
- Snap trim ring into place.



TYPICAL MOUNTING METHOD



# Wiring Diagram

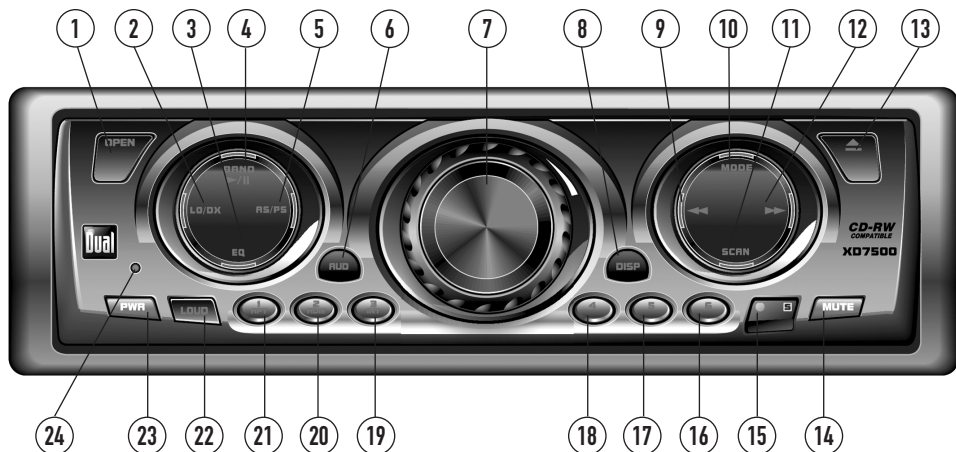


**FUSE**

When replacing a fuse, make sure new fuse is the correct type and amperage. Using an incorrect fuse could damage the radio. The XD7500 uses one 10 amp ATM fuse located beside the wiring connector.

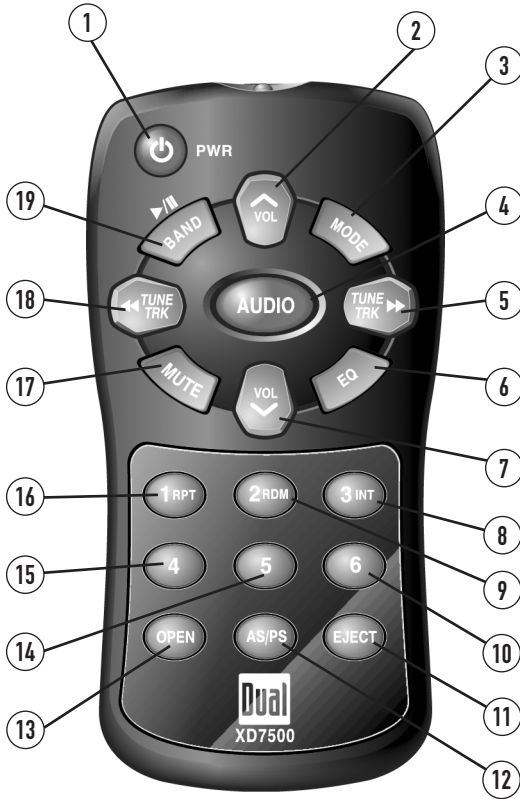


## Control Locations - Receiver



- |                      |                      |
|----------------------|----------------------|
| ① Open               | ⑬ Eject              |
| ② Local/Distance     | ⑭ Mute               |
| ③ EQ                 | ⑮ Infrared Sensor    |
| ④ Band/Play/Pause    | ⑯ Preset 6           |
| ⑤ Auto Store/Presets | ⑰ Preset 5           |
| ⑥ Audio              | ⑱ Preset 4           |
| ⑦ Volume             | ⑲ Preset 3/CD Intro  |
| ⑧ Display            | ⑳ Preset 2/CD Random |
| ⑨ Tune/Track Down    | ㉑ Preset 1/CD Repeat |
| ⑩ Mode               | ㉒ Loudness           |
| ⑪ Scan               | ㉓ Power              |
| ⑫ Tune/Track Up      | ㉔ Reset              |

## Control Locations - Remote



- |                      |                          |
|----------------------|--------------------------|
| ① Power              | ⑪ Eject                  |
| ② Volume Up          | ⑫ Auto Store/Preset Scan |
| ③ Mode               | ⑬ Open                   |
| ④ Audio              | ⑭ Preset 5               |
| ⑤ Tune/Track Up      | ⑮ Preset 4               |
| ⑥ EQ                 | ⑯ Preset 1/Repeat        |
| ⑦ Volume Down        | ⑰ Mute                   |
| ⑧ Preset 3/CD Intro  | ⑱ Tune/Track Down        |
| ⑨ Preset 2/CD Random |                          |
| ⑩ Preset 6           |                          |



## General Operation

|  |  |
|--|--|
| <b>Power On/Off</b>                          | Press <b>PWR</b> or any other button (except <b>EJECT</b> or <b>OPEN</b> ) to turn the unit on. Inserting a CD will turn the unit on automatically. Press <b>PWR</b> to turn the unit off.   |
| <b>Faceplate Removal</b>                     | With the unit off, press <b>OPEN</b> to allow the front panel to slide down. Gently squeeze the release tab located on the bottom center underside and pull faceplate down and away from unit to remove. To install, insert left side faceplate first, then push right side to secure. |
| <b>Semi-permanent Faceplate Installation</b> | Before installation, remove trim ring and install supplied Phillips head #1 screws through left and right underside of faceplate tray into faceplate.  |
| <b>Mode</b>                                  | Press <b>MODE</b> to select between tuner, CD player and auxiliary input. Modes of operation are indicated in the display.   |
| <b>Loudness</b>                              | Press <b>LOUD</b> to activate and deactivate loudness contour curve. Activating this feature will enhance the bass frequencies when listening to music at all volumes.   |
| <b>Volume</b>                                | Adjust volume using rotary encoder (00-46).  |
| <b>Programmable Turn-On Volume</b>           | Press and hold <b>PWR</b> for 3 seconds to program currently selected volume level.  |
| <b>Preset EQ Curves</b>                      | Press <b>EQ</b> to select between POP, JAZZ, CLASSIC, BEAT, ROCK and OFF (default) equalization curves. Any adjustment to the Bass or Treble settings automatically cancels the current EQ curve.  |
| <b>Display</b>                               | Press <b>DISP</b> to select between clock and radio frequency (tuner mode) or CD elapsed time/track (CD player mode).  |
| <b>Set the Clock</b>                         | With the unit on, press and hold <b>DISP</b> until clock begins to flash, then release. Press <b>TUNE</b> ◀◀ to adjust the hours and <b>TUNE</b> ▶▶ to adjust the minutes. Press <b>DISP</b> momentarily to save the selected time.  |
| <b>12/24-hour Clock</b>                      | The clock will display 12-hour time in U.S. frequency spacing mode (PM 10:00). In European frequency spacing mode, the clock will display 24-hour time (22:00).  |

## General Operation

|                                      |   |
|--------------------------------------|---|
| <b>Programmable Display Priority</b> | <p>Press and hold <b>DISP</b> then press <b>TUNE ►►</b> to select radio frequency (tuner mode) or CD elapsed time/track (CD player mode) display priority (default). Clock is accessed by pressing <b>DISP</b> momentarily.</p> <p>Press and hold <b>DISP</b> then press <b>TUNE ◄◄</b> to select clock display priority. Radio frequency or CD elapsed time/track is accessed by pressing <b>DISP</b> momentarily.</p> |
| <b>Programmable Clock Priority</b>   | <p>Programs unit to display clock/no clock when unit is off. Press and hold <b>MODE</b> then press <b>PRESET 1</b> to turn clock priority on/off.</p>   |
| <b>Reset</b>                         | <p>Press and hold for more than 2 seconds to <b>RESET</b> the unit upon initial installation or if abnormal operation occurs.</p>   |
| <b>Audio</b>                         | <p>Press <b>AUD</b> to select between Volume (default), Bass, Treble, Balance &amp; Fader.</p> <p>→ VOL → BASS → TRE → BAL → FAD</p>  |
| <b>Bass</b>                          | <p>Press <b>AUD</b> until <b>BAS</b> appears<br/>Rotate encoder left/right to adjust<br/>(+6 maximum / -6 minimum)</p>  |
| <b>Treble</b>                        | <p>Press <b>AUD</b> until <b>TRE</b> appears<br/>Rotate encoder left/right to adjust<br/>(+6 maximum / -6 minimum)</p>  |
| <b>Balance</b>                       | <p>Press <b>AUD</b> until <b>BAL</b> appears<br/>Rotate encoder left/right to adjust<br/>(BAL.L 12-BAL 00-BAL.R 12) BAL 00 represents equal balance.</p>  |
| <b>Fader</b>                         | <p>Press <b>AUD</b> until <b>FAD</b> appears<br/>Rotate encoder left/right to adjust<br/>(FAD.F 12-FAD 00-FAD.R 12) FAD 00 represents equal fader.</p>  |
| <b>Source Audio Memory</b>           | <p>Individual Bass and Treble settings are retained in memory for AM/FM and CD/AUX modes.</p>   |
| <b>Confirmation Beep</b>             | <p>Press <b>AUD</b> for 3 seconds to turn confirmation beep on/off.</p>   |
| <b>Mute</b>                          | <p>Press <b>MUTE</b> to silence the audio. Press <b>MUTE</b> again to cancel.</p>   |



## Tuner Operation

|  |   |
|--|---|
| <b>Seek Tuning</b>                           | Press <b>TUNE</b> ◀◀ or <b>TUNE</b> ▶▶ momentarily to seek the next strong station.   |
| <b>Manual Tuning</b>                         | Press <b>TUNE</b> ◀◀ or <b>TUNE</b> ▶▶ for more than 2 seconds, then release. "MANU" will momentarily appear in the display. Press <b>TUNE</b> ◀◀ or <b>TUNE</b> ▶▶ momentarily to move radio frequency up or down one step at a time. Press and hold to advance quickly. If tuning is not adjusted for 5 seconds, the unit will return to seek tuning mode (default). "AUTO" will momentarily appear in the display. |
| <b>Scan Tuning</b>                           | Press <b>SCAN</b> to preview strong stations on the current band, pausing for 5 seconds at each. Press <b>SCAN</b> again to cancel.   |
| <b>Local/Distance</b>                        | Press <b>LOC</b> to activate local tuning for strong station reception only. Press <b>LOC</b> again to cancel and resume Distance tuning (default).   |
| <b>Band</b>                                  | Press <b>BAND</b> to select between FM1, FM2, FM3 and AM1, AM2 bands.   |
| <b>Frequency Spacing</b>                     | Press and hold <b>BAND</b> then press <b>TUNE</b> ◀◀ to select European frequency spacing. Press and hold <b>BAND</b> then press <b>TUNE</b> ▶▶ to select U.S. frequency spacing (default).   |
| <b>Storing and Recalling Station Presets</b> | Up to 18 FM stations and 12 AM stations can be stored. To store a station, select the desired band and station. Press and hold the desired preset button for more than 2 seconds. When stored, the preset number will appear in the display. The station can be recalled anytime by pressing the corresponding preset button.   |
| <b>Automatically Store Stations</b>          | Press <b>AS/PS</b> for more than 2 seconds to automatically store the six strongest stations in the current band. Automatic Local/Distance is activated during the initial band scan.   |
| <b>Preset Scan</b>                           | Press <b>AS/PS</b> for less than 2 seconds to scan presets 1-6 on the current band, pausing for 5 seconds at each. Press <b>AS/PS</b> again to cancel.  |



## CD Player Operation

|                                 |  |
|---------------------------------|--|
| <b>Insert CD</b>                | Press <b>EJECT</b> to allow the rear panel to slide down. With the label facing up, insert a standard size CD into the CD slot. The rear panel will close and the CD will automatically begin playback.  |
| <b>Eject CD</b>                 | Press <b>EJECT</b> to allow the rear panel to slide down and eject the CD. The unit will change to previous mode of operation (tuner or auxiliary input). If the disc is not removed within 10 seconds, the unit will reload the disc. The unit does not have to be turned on to eject CD. |
| <b>Track Select</b>             | Press <b>TRACK</b> <b>▶▶</b> to skip to the beginning of the next track. Press <b>TRACK</b> <b>◀◀</b> to return to the beginning of the current track. Pressing <b>TRACK</b> <b>◀◀</b> again skips to the beginning of the previous track.   |
| <b>Fast Forward and Reverse</b> | Press and hold <b>TRACK</b> <b>◀◀</b> or <b>TRACK</b> <b>▶▶</b> to fast forward or reverse a track.  |
| <b>Pause</b>                    | Press <b>▶/  </b> to temporarily stop CD playback.<br>Press <b>▶/  </b> again to resume playback.  |
| <b>Intro</b>                    | Press <b>INT</b> to play the first 10 seconds of each track.<br>Press <b>INT</b> again to cancel.  |
| <b>Repeat</b>                   | Press <b>RPT</b> to continuously repeat selected track.<br>Press <b>RPT</b> again to cancel.   |
| <b>Random</b>                   | Press <b>RDM</b> to play all tracks in random order. Press <b>RDM</b> again to cancel. Random mode is retained in memory when selecting between tuner, CD player and auxiliary input modes and when the unit is turned on/off.   |
| <b>CD-R/CD-RW Compatibility</b> | Some CD-Rs and CD-RWs may be incompatible with this unit, depending on media type and recording method.  |



## Limited One-Year Warranty

This warranty gives you specific legal rights. You may also have other rights which vary from state to state.

Namsung America Inc. warrants this product to the original purchaser to be free from defects in material and workmanship, under normal conditions, for a period of one year from the date of the original purchase.

Namsung America agrees, at our option, during the warranty period, to repair any defect in material or workmanship or to furnish an equal new or renewed product in exchange without charges, subject to verification of the defect or malfunction and proof of the date of purchase.

During the One-Year Warranty Period: For One Year from the date of purchase, your product will be replaced with a new, renewed or comparable product (whichever is deemed necessary) if it becomes defective or inoperative. This is done without charge to you. Replacement products are warranted for the balance of the original warranty period.

**Who is covered?** This warranty is extended to the original retail purchaser for products purchased and used in the U.S.A., in the 48 contiguous states ONLY.

**What is covered?** This warranty covers all defects in material and workmanship in this product. The following are not covered: installation/removal costs, damage resulting from accident, misuse, abuse, neglect, product modification, improper installation, incorrect line voltage, unauthorized repair or failure to follow instructions supplied with the product, or damage occurring during return shipment of the product.

### What to do?

1. Before you call for service, check your operating instruction booklet. A slight adjustment of any custom controls discussed in your instruction booklet may save you a service call.

2. If you require service during the warranty period, you must carefully pack the product (preferably in the original package) and ship it by prepaid transportation with proof of the purchase date from the retailer to the Return Center address listed below.

3. Please describe your problem in writing and include your name, a return UPS shipping address (P.O. Box not acceptable), and a daytime phone number with your shipment.

4. DUAL will pay the return shipping charges if the product is returned to an address within the USA.

Namsung America Inc.  
Attn: Returns Center  
21318 64th Ave. South  
Kent, WA 98032 U.S.A.  
Toll Free: 1-866-626-7863

**Exclusion of Certain Damages:** This warranty is exclusive and in lieu of any and all other warranties, expressed or implied, including without limitation the implied warranties of merchantability and fitness for a particular purpose and any obligation, liability, right, claim or remedy in contract or tort, whether or not arising from the company's negligence, actual or imputed. No person or representative is authorized to assume for the company any other liability in connection with the sale of this product. In no event shall the company be liable for indirect, incidental or consequential damages.



## Specifications

|                  |   |
|------------------|---|
| <b>CD Player</b> | Signal-to-noise: <b>&gt;92dB</b><br>Frequency response: <b>10Hz-20kHz</b><br>Channel separation @ 1kHz: <b>&gt;65dB</b><br>D/A converter: <b>1 Bit</b>  |
| <b>FM Tuner</b>  | Tuning range: <b>87.5MHz-107.9MHz</b><br>Usable sensitivity: <b>8.5dBf</b><br>50dB quieting sensitivity: <b>10dBf</b><br>Stereo separation @ 1kHz: <b>40dB</b><br>Frequency response: <b>30Hz-13kHz</b>   |
| <b>AM Tuner</b>  | Tuning range: <b>530kHz-1710kHz</b><br>Usable sensitivity: <b>22uV</b><br>Frequency response: <b>30Hz-2.2kHz</b>  |
| <b>General</b>   | Total power output: <b>220 Watts Peak</b><br>Power output: <b>55Wx4 @ 4 ohms, 14.4 VDC</b><br>Operating voltage: <b>11-16 VDC, negative ground</b><br>Speaker output impedance: <b>4~8 ohms</b><br>Line output voltage: <b>2 Volts</b><br>Dimensions: <b>7" x 7" x 2" (178 x 178 x 51 mm)</b> |

Design and specifications subject to change without notice



## Troubleshooting

| Problem                                     | Cause  | Action   |
|---|--|--|
| <b>Unit will not turn on<br/>(no power)</b> | Yellow wire not connected or incorrect voltage                           | Check connections for proper voltage (11~16VDC)                    |
|   | Red wire not connected or incorrect voltage                              | Check connections for proper voltage (11~16VDC)                    |
|   | Black wire not connected   | Check connection to ground   |
|   | Fuse blown   | Replace fuse   |
| <b>Unit has power<br/>(but no sound)</b>    | Speaker wires not connected  | Check connections at speakers                                      |
|   | One or more speaker wires touching each other or touching chassis ground | Insulate all bare speaker wires from each other and chassis ground |
| <b>Unit blows fuses</b>                     | Yellow or red wire touching chassis ground                               | Check for pinched wire   |
|   | Speaker wires touching chassis ground                                    | Check for pinched wire   |
|   | Incorrect fuse rating  | Use fuse with correct rating                                       |
| <b>Excessive skipping</b>                   | Unit is not mounted correctly or backstrap is not secure                 | Check mounting sleeve and backstrap support                        |
|   | Physical defect in media (CD, CD-R or CD-RW)                             | Check media for scratches  |
| <b>ER-1 appears on display</b>              | Mechanism error  | Press eject or RESET   |
| <b>ER-2 appears on display</b>              | Servo error or disc is in upside down                                    | Press eject or RESET   |



Namsung America Inc.  
21318 64th Ave. South  
Kent, WA 98032  
Toll Free: 1-866-626-7863

[www.dualav.com](http://www.dualav.com)

©2004 Namsung America, Inc.  
EVOK0304-V01